



OPEN SOURCE CAPITALISM



POWERED BY:



The creator of:

- Open Source Capitalism
- Assembly Line of Innovation
- TIF Branches
- Global IP Syndicate
- Open Source Financing



OPEN SOURCE CAPITALISM

Powered by The Incubation Factory, Open Source Capitalism provides a global **alternative to Wall Street.**

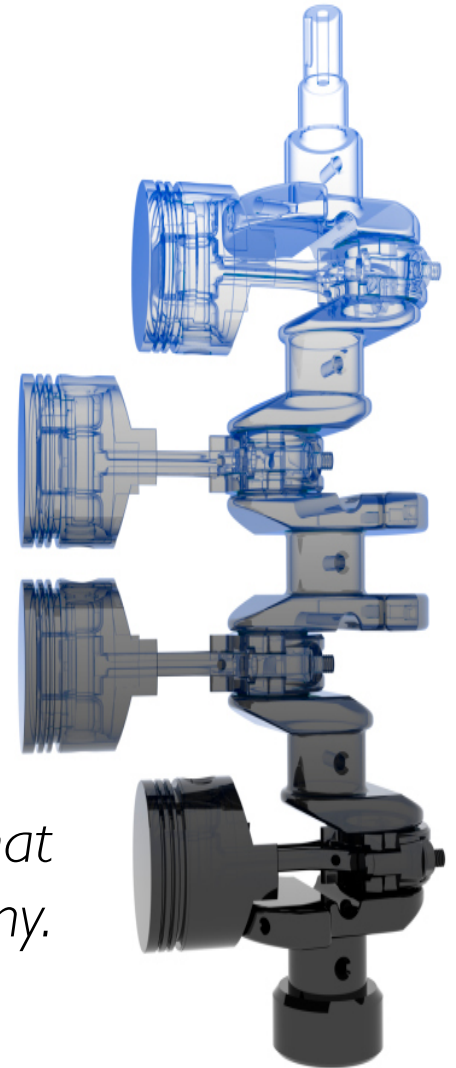
1. Aggregates Start-ups
2. Attracts Required Capital
3. Provides Unprecedented Access



I. Aggregates Start-ups

- Job Growth
- High Returns
- Solutions for Humanity

*Innovation is the engine that
drives the global economy.*



2. Attracts required capital

- Normalized Returns
- Consistent, Governing Framework
- Next Generation Platform



OPEN SOURCE CAPITALISM

3. Provides unprecedented access



Years in the Making

1. Eliminating “Entitlement”
2. Sourcing the Right Deals
3. Standardizing the Platform
4. Conducting Streamlined Launches
5. Establishing Expenditure Dials:
6. Enforcing Stop Loss Parameters
7. Custom Management Environments
8. Aligning Incentives



Our Global Footprint

- Shared-value economic development clusters
- Entrepreneurial ecosystem
- Centralized back office
- International Network of Branches
- Streamlined Global Expansion
- First Ever IP Syndicate



Creating a Perpetual Portfolio

- Profitability
- Accountability
- Transparency





The Time is Now

- Innovation Transforms Mankind
- Industry Ready for Consolidation
- Limited Alternatives